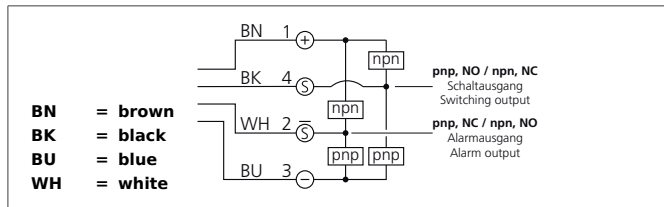


LHT 81 M 300 G6L-IBS

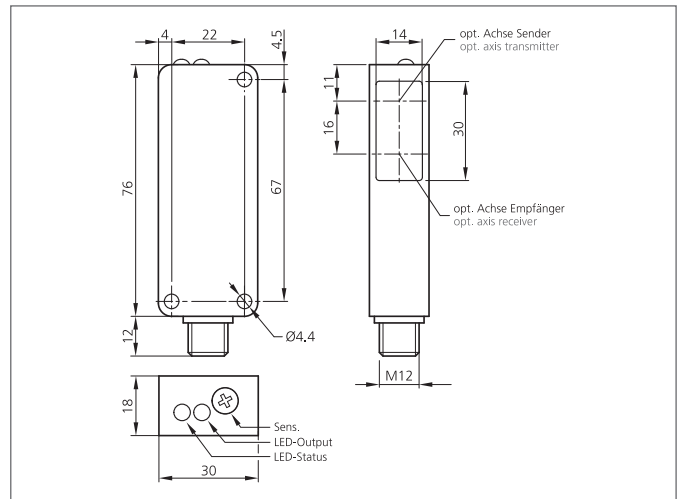
Laser Diffuse Sensor with Background Suppression

- Mechanical background suppression
- Vibration-save 6-turn adjustment for finest adjustment
- Red light laser, with small laser spot
- Switching output and alarm output
- Push-pull pnp + npn
- High resolution, switching accuracy, switching frequency
- Functional reserve indicator and contamination indicator
- Robust metal casing



Safety instructions

Inproper use may result in hazardous radiation exposure. Pay attention to accident prevention rules and laser class. The instruments are not to be used for safety applications, in particular applications in which safety of persons depends on proper operation of the instruments. These instruments shall exclusively be used by qualified personnel.



TECHNICAL INFORMATION (typ.)	+20°C, 24V DC
Operating principle	Diffuse reflective sensor
Evaluation	digital
Size	76 x 30 x 18 mm (Dimensions)
Design	cuboid design
Emitted light	Red light laser, 650 nm, clocked
Laser class	1 (IEC 60825-1)
Service voltage	10 ... 35 V DC
Internal power consumption	< 35 mA
background suppression	yes
Operating distance	40 ... 300 mm (300 ... 600 mm as diffuse reflective sensor)
Sensitivity adjustment	6-turn adjustment
Switching output	Push pull, 200 mA
Switching hysteresis	< 1 %
Switching frequency	1.000 Hz
Ambient temperature	-20 ... +60 °C
Ambient light immunity	5 kLx
Insulation voltage endurance	500 V
Protection class	IP 67
Protection degree	III, operation on protective low voltage
Casing material	Die-cast zinc black lacquered finish
Material	polycarbonate (Window)
Connection	Connector, M12, 4-poled
Connecting cable	VK ...